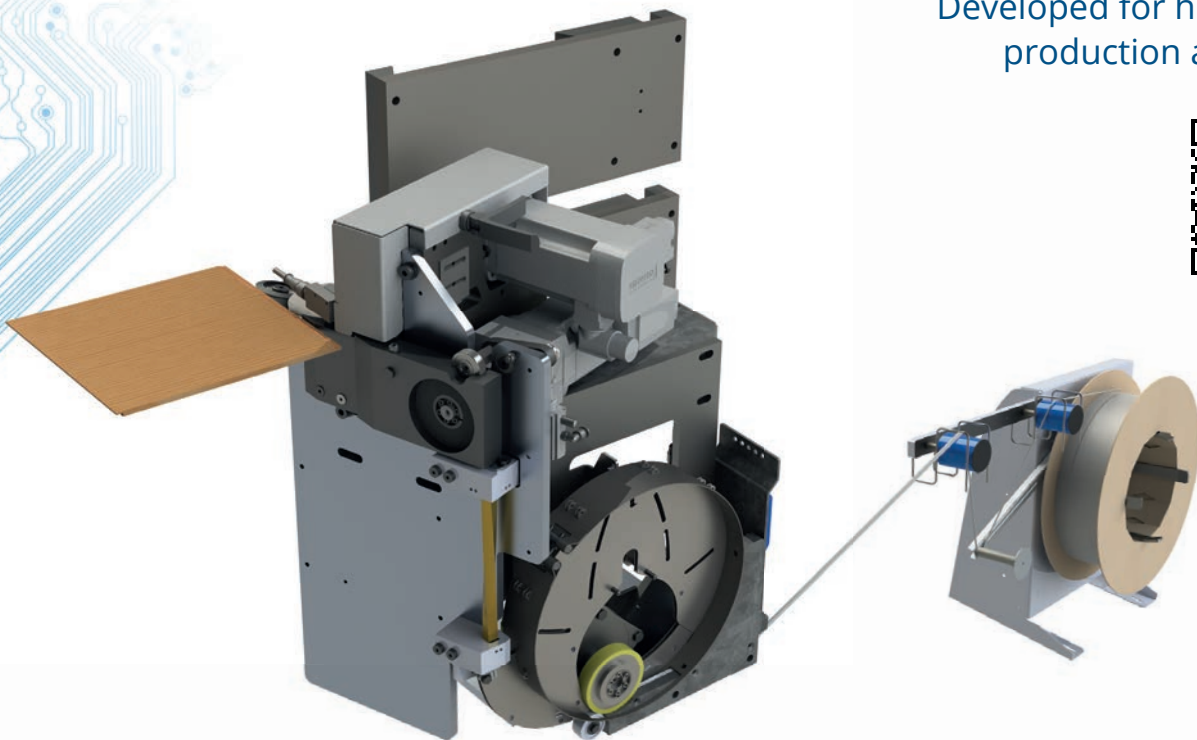




## SI-25-S ECO STRIP INSERTER

A high end solution for the production of "fold down assembly panels"

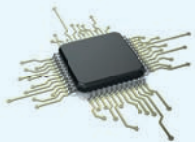
Developed for high quality production at low cost



### SI-25-S ECO



- The strip inserter SI-25-S ECO is a basic version of the Avercon strip inserter machines, designed for production lines at lower speeds but with high quality standards.



- Designed to position strip material in motion from a roll into an opposite profile and to cut it on the right length.



- Efficient and modular - compact and robust: Limited number of moving parts result in a reliable operation.
- Premium components as Siemens PLC, Sick sensors, Festo Pneumatics...



- Stand-alone machine with separate control unit.
- Installation and start-up by professionals.
- Easy service, easy maintenance.

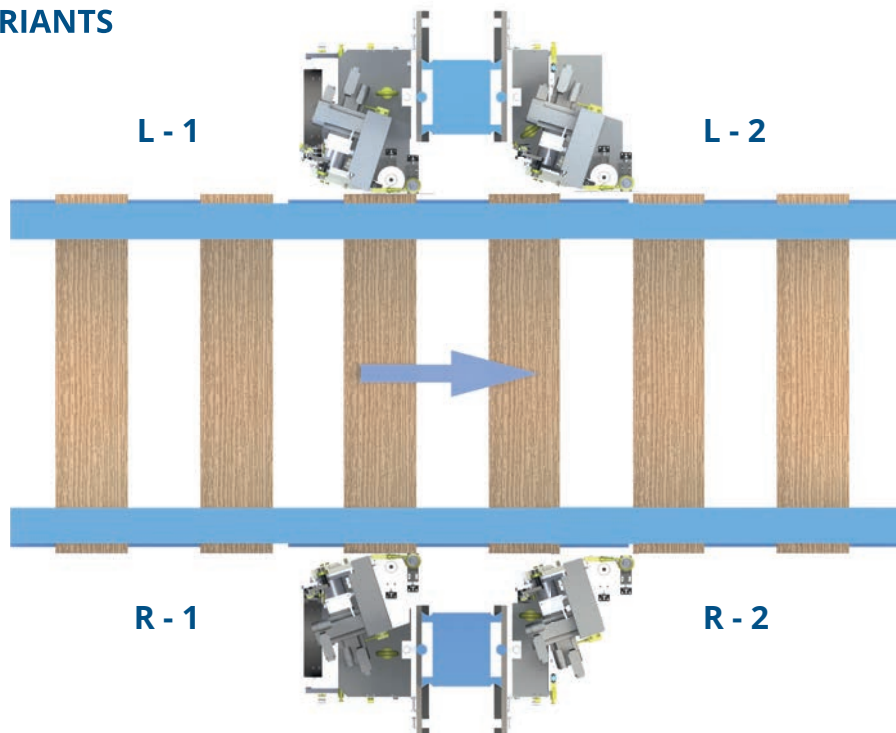
## DATA SHEET

- Speeds up to 25 m/min
- Manual strip exchange
- Manual reel exchange

### OPTIONS:

- Unwinding unit
- X-Z carriage - build-on on customer Z-support
- Support for stand-alone mounting
- Installation set for strip type change
- Custom design possible

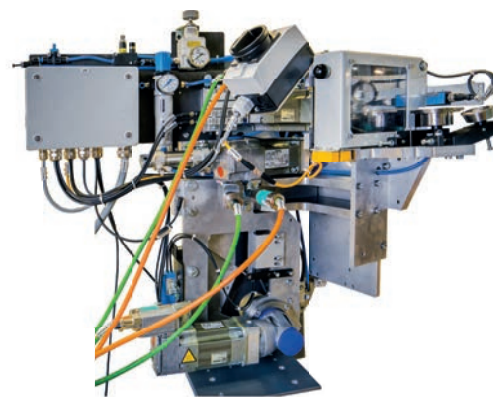
## MOUNTING VARIANTS



### Also available: SI-45-S/D & SI-75-S/D

for high speed and  
continuous production.

A double strip feeding system with  
double reel unwinder realizes a  
reel change without plank loss.  
Speeds up to 75 m/min.



**avercon**  
PACKAGING & PRODUCTION LINES

Avercon holds over 25 years of experience in engineering: a process that starts  
with creative ideas and results in long-term commitments to our clients.

T +32 (0)9 377 99 78 M info@avercon.be W www.avercon.be